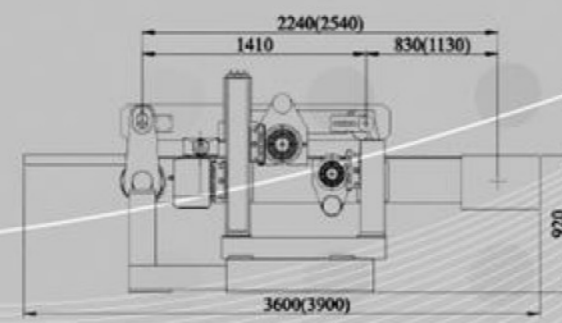
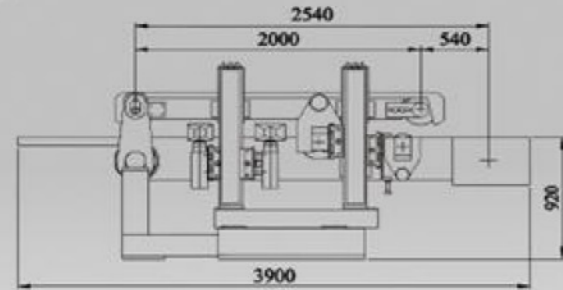


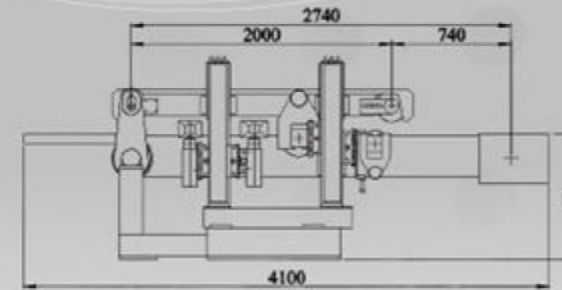
YL-H4/H6 STANDARD PLOT.



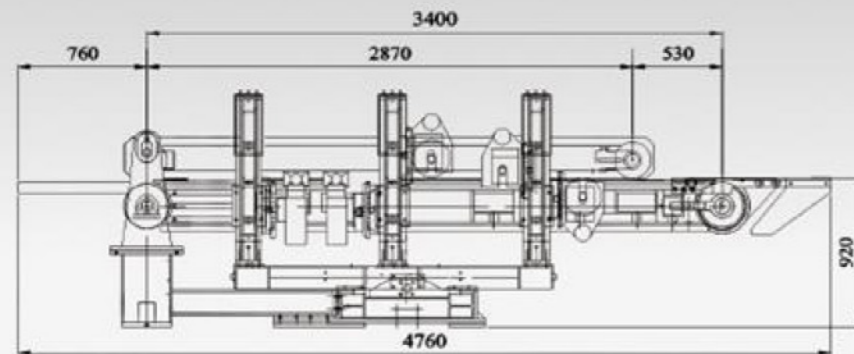
YL-H4/H6 WITH LONG CHAIN TRACK PLOT.



YL-H8 STANDARD PLOT.



YL-H8 WITH LONG CHAIN TRACK PLOT.



YL-H10/H12 STANDARD PLOT.

DOUBLE END TENONER



We support to provide

- High quality production
- High efficiency products
- Reliable products
- Specialized consulting & engineering
- Expert after-sales service

MODEL			YL-H4 (YL-22)	YL-H6 (YL-23)	YL-H8 (YL-24)	YL-H10 (YL-25)	YL-H12 (YL-26)
Working units	pcs		4(2+2)	6(3+3)	8(4+4)	10(5+5)	12(6+6)
Max. working width	mm(ft)		1300(4) / 2000(6) / 2600(8) / 3200(10) / 4000(12) / 5000(16) / 6000(20)				
Min. working width (on double side)	mm(in)		220(8-5/8) option 175(6-7/8)				
Min. working width (on single side)	mm(in)		110(4-3/8) option 90(3-1/2)				
Max. working thickness	mm(in)		100(2-3/8) option / 120(4-3/4) / 150(5)				
Scoring saw unit	Motor	hp	H:2 option 3 / 5 / 7.5				
	Spindle speed	rpm	H:3000				
	Spindle dimension	mm	H:25.4 x 82L				
	Sawblade dimension	mm	205 x 25.4 x 3.0 mm x T80				
Main sawing unit	Motor	hp	H:5 option 7.5				
	Spindle speed	rpm	H:3000				
	Spindle dimension	mm	H:25.4x82L				
	Sawblade dimension	mm	305 x 25.4 x 3.0 mm x T80				
Moulding unit	Motor	hp	H:5 option 7.5				
	Spindle speed	rpm	H:6000				
	Spindle dimension	mm	H:40x120L				
	Cutter dimension	mm	H:140-160				
Belt sanding unit	Motor	hp	H: 2				
	Sanding belt size	inch	4" x 60"/ 84"/ 98"				
	Vibration power		25w x 1/36				
Chaintrack system	Motor	hp	2	2	3	5	5
	Feed speed	m/min	6-24				
	Distance between dogs	mm	400 option 300 / 200				
	Normal/Reversible		Standard				
Movable side	Motor	hp	1				
	Feed speed	m/min	2				
Weight	Net weight	kgs	3700-6000	3800-6100	5000-7300	5100-7400	6200-8400
	Gross weight	kgs	4100-6400	4200-6500	5400-7700	5500-7800	6600-9000
Dimension	Machine size	mm	3400-8100 x 3200-4200				
	Packing size	mm	3520-8220 x 2270-1900				

We reserve the right for technical modification.



YL-H6 Series YL-CE Standard Series

DOUBLE END TENONER



Attractive, Smart and Exclusive Features



High precision linear guide way

To get perfect parallel on wide base at x-axis.



Feed chain track system

Is enriched with precision track linkage mounted with dust-proof and free lubricated needle bearing, to ensure perfect parallel at y-axis.
(BRAND: GERMAN INA)



Automatic positioning device

Standard with digital readout in metric, inches or Japanese inches for various operation.
No micro-adjustment required.
(BRAND: GERMAN SIEMENS)



Double sided pressure roller



Scoring saw unit

2HP(option 3/5 HP)
Spindle speed:3000 rpm (50 HZ)
Spindle dim:Ø25.4 x 42 mm(L)



Main saw unit

5HP(option 7.5 HP)
Spindle speed:3000 rpm (50HZ)
Spindle dim:Ø25.4 x 42 mm(L)



Moulding unit

5HP (special 7.5HP)
Spindle speed: 6000 rpm (50HZ)
Spindle size: Ø40 x 120 MM (L)
Option attachment: Jumping device



Moulding unit (with inverter)

5HP (special 7.5HP)
Spindle speed: 3000/6000 rpm (60/120 HZ)
Spindle size: Ø40 x 120 MM (L)
Option attachment: Jumping device

YL-H8 Series YL-CE Standard Series

DOUBLE END TENONER



Optional Attachment



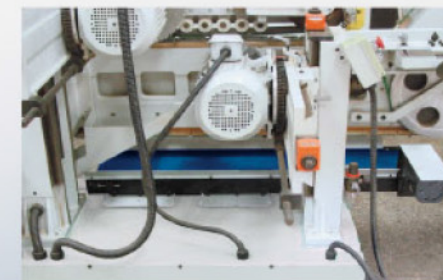
Center support
Optional on request for wide working pieces, to avoid panel sagging.



Moulding unit with pneumatic top pressure pad+bottom support (Chrom plated)



Auto. feeding magazine
Working length:220~1300/2000/2600 mm
Working width:80~150 mm
Working height:8~60 mm
Max. working height of magazine:500 mm



Chip conveyor



Profile belt sanding
Motor : 2HP
Sanding belt size : 4"x 98"/ 84"
Vibration power : 25w x 1/36



Disc sanding unit
Motor : 2HP ,Spindle : 1"x 4"
with vibration motor
with auto. compensation



Top and bottom milling unit
5HP(special 7.5HP)
Spindle speed:3600/7200 rpm (60/120HZ)
Spindle dimension:Ø40 x 82 mm (L)



Scoring saw unit with jumping device

YL -H Series

YL -CE Standard Series

MODEL IDENTIFICATION

Application

The DET series Double End Tenoners are designed for those factories manufacturing panel and / or solid wood furniture.

The DET series feature a sequence of mass production functions for sizing, cutting, hogging, trimming, squaring, tenoning, moulding, rounding, sanding, chamfering and grooving.

Working stock has no longitudinal limit.

Working width is 220 mm (optional on request 180 mm) minimum, to max. for 1300/2000/2600/3200/4000/5000/6000 mm.

Working thickness is a standard 60 mm (option 100/120/150).

Designed for solid & panel wood furniture like OA furniture, kitchen, door & windows, wood & laminate flooring production and etc.

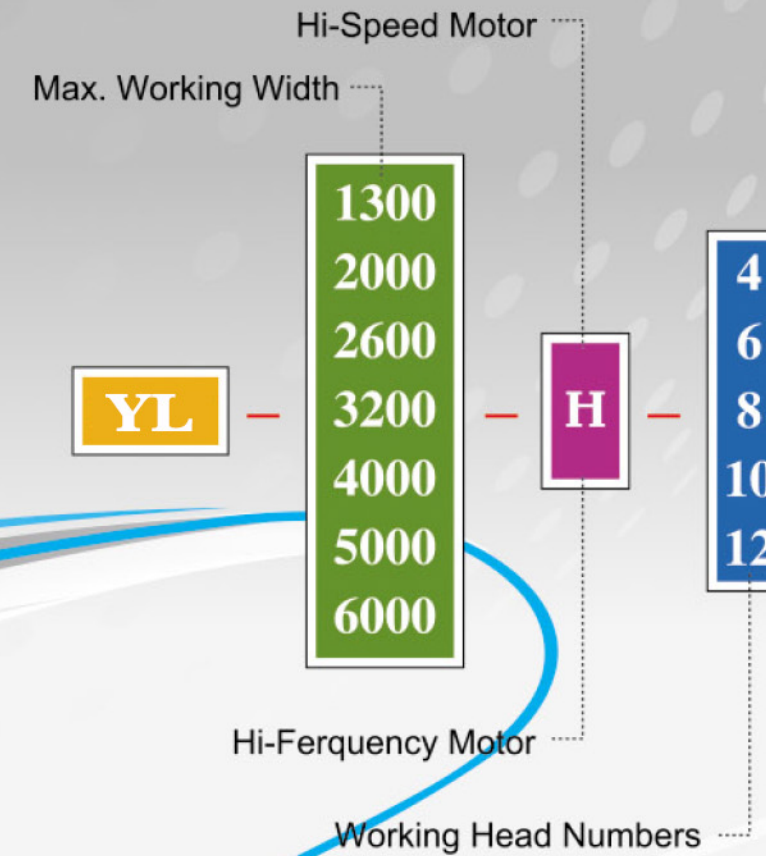
Features

- Heavy and rigid construction to ensure sizing, squaring and tenoning with high precision and productivity.
- The bed travels on high precision linear guide way to get perfect parallel at x-axis.
- Feed chain track system is enhanced with precision track linkage mounted with dust-proof and free lubricated needle bearings to ensure perfect parallel at y-axis.
- The high precision linear guide way + feed chain track form double crisscross movement to guarantee squaring.
- High accurate needle bearings mounted in precision chain track linkage for dust-proof and free lubrication for 5 years.
- Automatic positioning device with digital readout in metric, inches or Japanese inches for various operation. No micro-adjustment required.

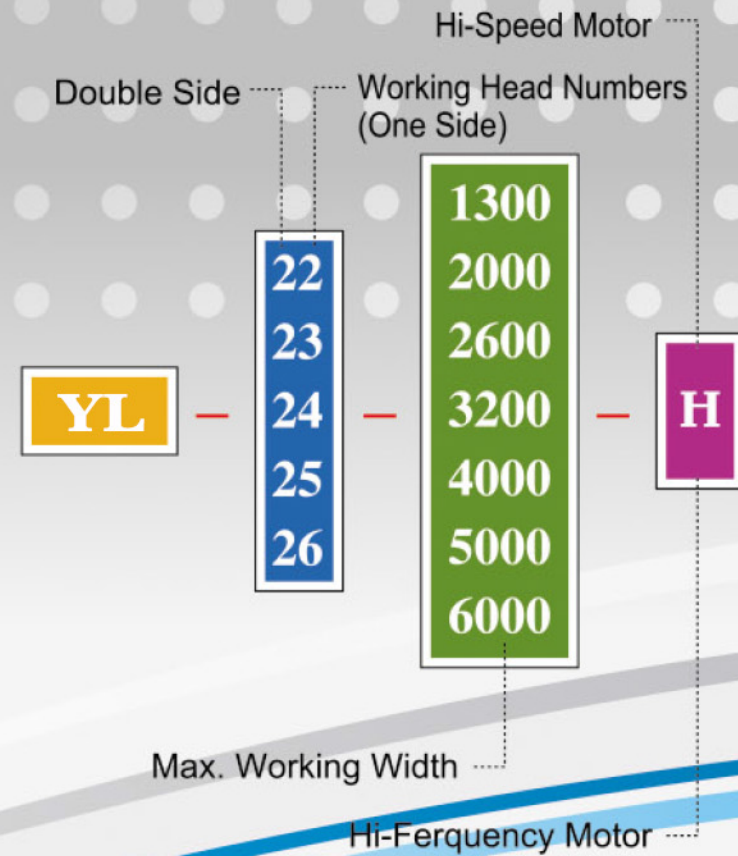
CE Certificate Safety Attachment



YL-H SERIES



YL-CE SERIES



Standard Attachment

- Auto. positioning device for movable stand to control working width.
- Digital readout device for thickness adjustment of double side, 2 pcs/set.
- Digital readout device for vertical adjustment of workheads, 6 pcs/set.
- Digital readout device for horizontal adjustment of workheads, 6 pcs/set.
- Feed chain track with rubber pad.
- Scoring saw blade
205 x 25.4 x 3.0mm x T80 - 2pcs.
- Main saw blade
305 x 25.4 x 3.0mm x T100 - 2pcs.

Optional Attachment

- Additional cost for wooden case.
- Feed chain track with phenolic pad instead of rubber pad.
- Feeding system with strengthened support.
- Laser beam for cutting line indication.
- Safety cabinet for CE are standard.
- Additional dog for feed chain track.
- Distance between centers of bottom chaintrack sprocket and top belt pulley change from 430 mm to 830/1130mm. (4/6 working unit series)
- Jumping device for scoring saw unit.
- Scoring saw motor increased to 3HP/5HP.
- Main saw motor increased to 7.5HP.
- Moulding motor increased to 7.5HP.
- Moulding unit with pneumatic top pressure Pad + Bottom support (chrom plated).
- Manual lubrication system.
- Auto. lubrication system.
- Moulding cutters 150 x 30 x 40mm x 6t
- Flooring cutters 137 x 30 x 20mm x 6t
- Hogging cutters.
- Auto. feeding magazine.
- Pre-milling cutter for scoring & main saw (fixed sied).
- Automatic adjustment for top pressure beam
- Movable stand with side pressure roller device
- Top pressure beam feeding with assistant roller
- Feedback conveyor
- Chip Conveyor